



Flagmore

FLAGMORE AS

FLAGPOLES AND ACCESSORIES

Product Catalogue

Flagmore®

CONTENTS

FLAGPOLES NORDIC 4

Nordic External	5
Nordic Linus	8
Nordic Winch	10
Nordic for Banner Bar (no cleatholes)	14
Nordic technical datasheet	17

FLAGPOLES PRO 18

Pro External	19
Pro Linus system	22
Pro Winch	24
Pro for Banner Bar (no cleatholes)	27
PRO technical datasheet	29

OPTIONS FOR FLAGPOLES 30

Special colour	30
Split poles	30
Extra reinforcement	30
Marina mast	31
Custom poles	32
Safety wire	32

WALL ATTACHMENTS 33

Wall mounted flagpoles	33
Vertical wall attachment for Nordic and Pro poles	34
Vertical all attachment for Action poles	34
45 degrees	34
60 degrees	34
75 degrees	34
Roll-over	35

GROUND ATTACHMENTS 36

FINIAL BOXES 39

Standard finial boxes for External	39
Standard finial boxes for Linus	40
Standard finial boxes for Winch	41

ACCESSORIES 42

Finials and sockets	42
Standard finials	42
Sleeves for finials	42
Ground Attachments	43
Ground Attachments	43
Flash collars for ground attachment	44
Other accessories and products	45
Weights	45
Winches	46
Linuses	47
Clips and snap-hooks	48
Cleat	48
Internal halyard Ø 4 mm	48
Halyard Ø 5 mm	49
Concrete bases and foot covers	49
Banner Saver	49

RECOMMENDED FLAG SIZES AND WIND STRENGTHS 50

FLAGMORE NORDIC

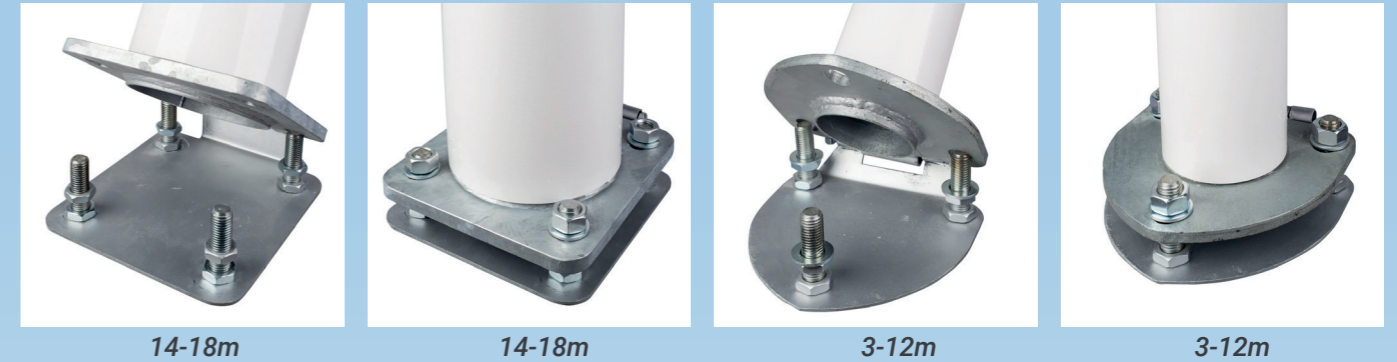
Flagpole 3-24 meters

Nordic flagpoles are excellent quality heavy duty fibreglass flagpoles with ultra hard gel coat finish designed and moulded in one piece which makes them impervious to all weather conditions, manufactured using only the best quality materials, easy to install with a hinged base system and thanks to their light weight design.



NORDIC FLAGPOLE FOR EXTERNAL HALYARD SYSTEM

Flagpoles are delivered with steel base and cleat holes.



Art.no.	Length m	Description	Top Ø Base Ø	Weight in Kg
F031120	3 m	Flagpole 3m Nordic Ext FM	65 mm 103 mm	9
F041120	4 m	Flagpole 4m Nordic Ext FM	65 mm 110 mm	12
F051120	5 m	Flagpole 5m Nordic Ext FM	65 mm 113 mm	14
F061120	6 m	Flagpole 6m Nordic Ext FM	65 mm 120 mm	15
F071120	7 m	Flagpole 7m Nordic Ext FM	65 mm 120 mm	17
F081120	8 m	Flagpole 8m Nordic Ext FM	65 mm 120 mm	18
F091120	9 m	Flagpole 9m Nordic Ext FM	65 mm 120 mm	21
F101120	10 m	Flagpole 10m Nordic Ext FM	65 mm 140 mm	29
F121120	12 m	Flagpole 12m Nordic Ext FM	65 mm 140 mm	36
F141110-001	14 m*	Flagpole 14m Nordic Ext VK Split	65 mm 175 mm	59
F161110-001	16 m*	Flagpole 16m Nordic Ext VK Split	65 mm 175 mm	74
F181110-001	18 m*	Flagpole 18m Nordic Ext VK Split	65 mm 175 mm	89
F201110-001	20 m*	Flagpole 20m Nordic Ext VK Split	75mm 230mm	175
F221110-001	22 m*	Flagpole 22m Nordic Ext VK Split	75mm 230mm	185
F241110-001	24 m*	Flagpole 24m Nordic Ext VK Split	75mm 230mm	195

*Packed in white foil

Accessories box for 3-12m Nordic external halyard system



Art.no.	Length m	Description	Weight in Kg
40001	3 - 12 m	Accessories box Nordic 3-12m – onion gold	5,9
40001-1	3 - 12 m	Accessories box Nordic 3-12m – onion silver	5,9
40001-2	3 - 12 m	Accessories box Nordic 3-12m – flat white	5,9
40001-3	3 - 12 m	Accessories box Nordic 3-12m – flat grey	5,9
40001-4	3 - 12 m	Accessories box Nordic 3-12m – onion white	5,9

Box includes:

Art.no- 22119 ground plate Nordic 3-12m,
 Art.no- 23313 anchor rod Nordic M20x500mm,
 Art.no- 24102 nuts set Nordic, assembly instructions.
 Art.no- 37305 sleeve 65mm plastic white.
 Art.no- 38020 cleat white with screws.
 Art.no- 30416 plastic hooks white.
 Art.no- 30512 halyard 5mm/22m for ext 3-12m pack.

Accessories box for 14-18m Nordic external halyard system

Art.no.	Length m	Description	Weight in Kg
40056-0	14 - 18 m	Accessories box Nordic 14-18m – onion gold	7,6
40056-1	14 - 18 m	Accessories box Nordic 14-18m – onion silver	7,6

Box includes:

Art.no- 22014-2 ground plate Nordic 14-18m
 Art.no- 23313 anchor rod Nordic M20x500mm,
 Art.no- 24102 nuts set Nordic, assembly instructions.
 Art.no- 37305 sleeve 65mm plastic white.
 Art.no- 38020 cleat white with screws.
 Art.no- 30416 plastic hooks white.
 Art.no 30512-3 halyard for 14-18 flagpole.
 Ground plate is packed separately.

Accessories box for 20-24m Nordic external halyard system

Art.no.	Length m	Description	Weight in Kg
32126	20 - 24 m	Finial box 20-24m - onion silver (2-part)	2
32127	20 - 24 m	Finial box 20-24m - onion gold (2-part)	2
40019-2	20 - 24 m	Ground attachment Nordic 20-24m	30

Box includes:

Art.no- 31720 sleeve 75mm metal white 20-24m.

Art.no- 35105-1 top screw for finial 165mm for 2-part

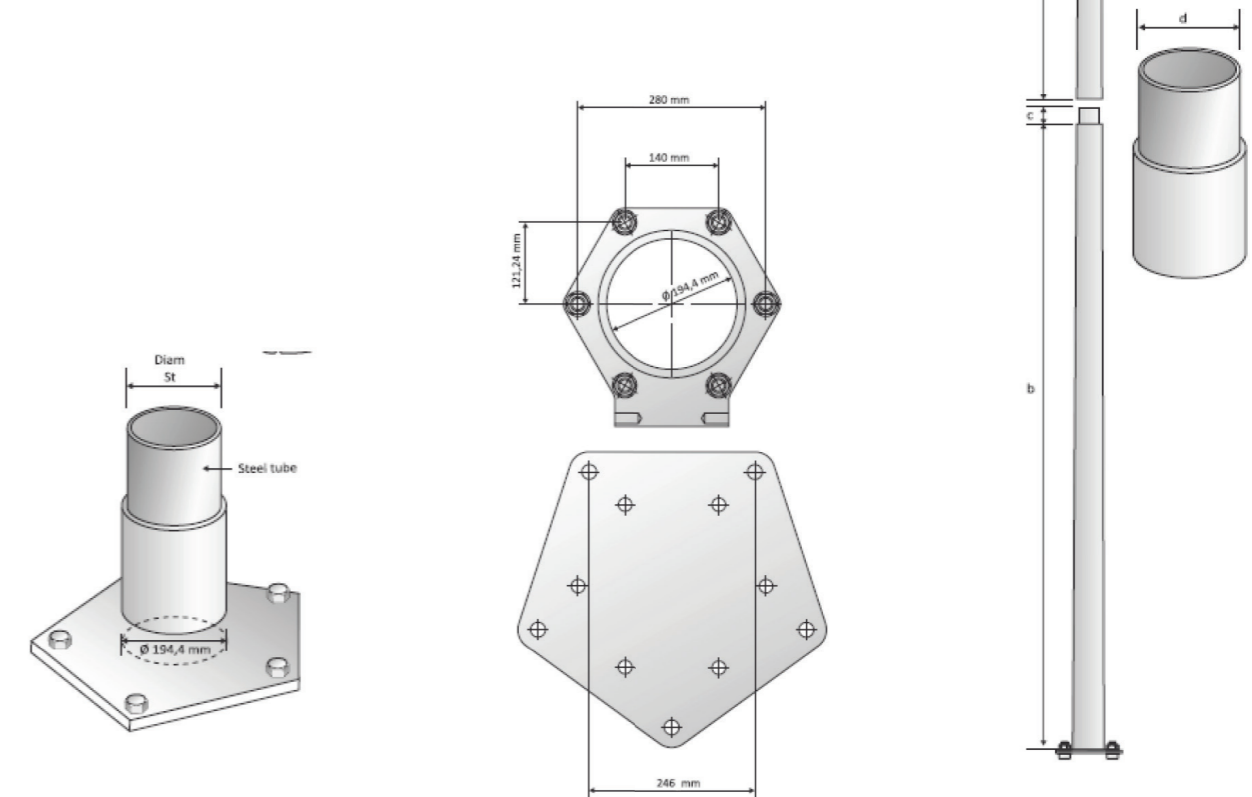
Art.no- 30416 plastic hook white

Art.no- 30401 rope 5mm/rm for Linus flagpole

Art.no- 38020 cleat white with screws

Ground attachment needs to be ordered separately.

	20m	22m	24m
top diameter (mm)	75	75	75
bottom diameter (mm)	230	230	230
fiberglass thickness (mm)	4,5	4,5	4,5
cylindrical lenght (mm)	10 000	12 000	14 000
height to cleat/lock (mm)	1500	1500	1500
height to winch (mm)	845	845	845
length of the steel tube (mm)	1500	1500	1500
thickness of the steel tube (mm)	8	8	8
diameter of the steel tube (mm)	194	194	194
a - top part length (mm)	13 000	13 000	13 000
b - bottom part lenght (mm)	7000	9000	11 000
c - split tube lenght (mm)	1000	1000	1000
d - diameter of the split tube (mm)	194	194	194



NORDIC FLAGPOLE FOR METAL LOCK / LINUS SYSTEM

Metal lock/Linus is a manual internal halyard system with a lockable hatch. Inside the hatch there is a cable lock that secures the halyard. A comfortable way to raise the flag.

Flagpole is delivered complete with lockable hatch, inside halyard, 2 keys, plastic cover (to be installed inside the flagpole tube close to the bottom in order to prevent the rope being in a water or mud) and steel base.



Art.no.	Length m	Description	Top Ø Base Ø	Weight in Kg
F061720	6 m	Flagpole 6m Nordic Linus FM	65 mm 120 mm	16
F071720	7 m	Flagpole 7m Nordic Linus FM	65 mm 120 mm	18
F081720	8 m	Flagpole 8m Nordic Linus FM	65 mm 120 mm	19
F091720	9 m	Flagpole 9m Nordic Linus FM	65 mm 120 mm	22
F101720	10 m	Flagpole 10m Nordic Linus FM	65 mm 140 mm	30
F121720	12 m	Flagpole 12m Nordic Linus FM	65 mm 140 mm	37

Accessories box for NORDIC Linus flagpole

Art.no.	Length m	Description	Weight in Kg
40002	6 - 12 m	Accessories box Nordic 6-12m Linus – onion gold	6,9
40004	6 - 12 m	Accessories box Nordic Linus 6-12m – onion silver	6,9
40004-1	6 - 12 m	Accessories box Nordic Linus 6-12 – onion white	6,9
40006	6 - 12 m	Accessories box Nordic Linus 6-12 – flat white	6,9
40013-33	6 - 12 m	Accessories box Nordic Linus 6-12m – flat black	6,9
40013-32	6 - 12m	Description Accessories box Nordic Linus 6-12m - flat grey (grey accessories)	8

Box includes:

Art.no- 22119 ground plate Nordic 3-12m

Art.no- 23313 anchor rod Nordic M20x500mm,

Art.no- 24102 nuts set Nordic, assembly instructions.

Art.no- 37305 sleeve 65mm plastic white.

Art.no- 32061 ring weight plastic white 3-12m .

Art.no- 30415 snap hook metal.

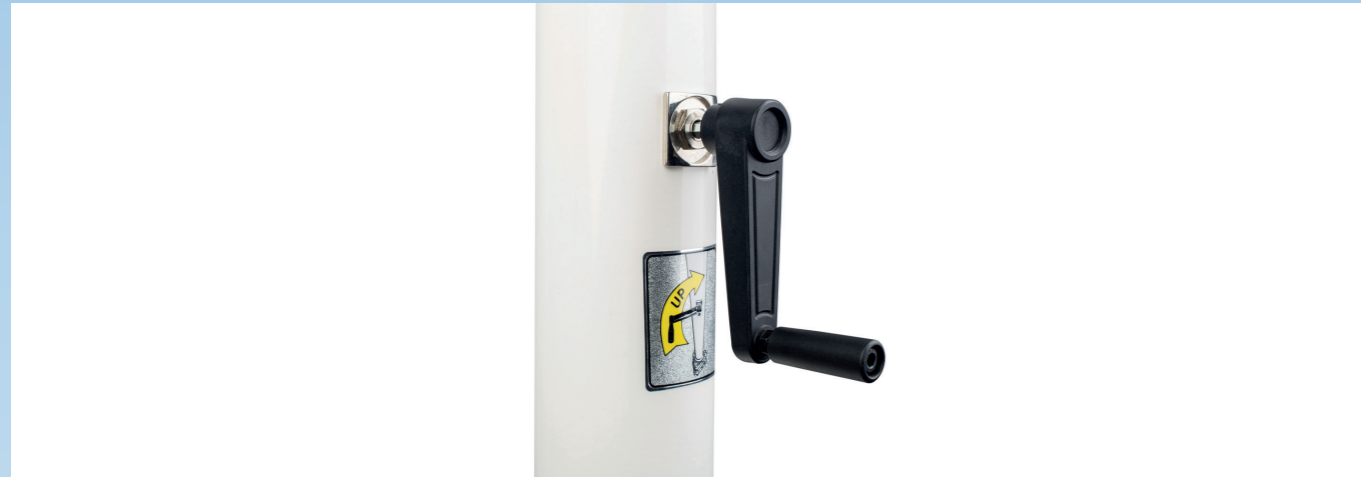
Art.no- 23175 small plastic ball

Ground plate is packed separately.

NORDIC FLAGPOLE FOR WINCH SYSTEM METAL

The winch system has a winch that moves the halyard inside the flagpole. Comfortable way to raise the flag and protect it against theft and sabotage.

Flagpole is delivered complete with internal winch, inside halyard and steel base.



Art.no.	Length m	Description	Top Ø Base Ø	Weight in Kg
F031220	3 m*	Flagpole 3m Nordic WinchHW FM	65 mm 120 mm	11
F041220	4 m*	Flagpole 4m Nordic WinchHW FM	65 mm 120 mm	14
F051220	5 m*	Flagpole 5m Nordic WinchHW FM	65 mm 120 mm	16
F061220	6 m	Flagpole 6m Nordic WinchHW FM	65 mm 120 mm	17
F071220	7 m	Flagpole 7m Nordic WinchHW FM	65 mm 120 mm	19
F081220	8 m	Flagpole 8m Nordic WinchHW FM	65 mm 120 mm	20
F091220	9 m	Flagpole 9m Nordic WinchHW FM	65 mm 120 mm	23
F101220	10 m	Flagpole 10m Nordic WinchHW FM	65 mm 140 mm	32
F121220	12 m	Flagpole 12m Nordic WinchHW FM	65 mm 140 mm	38
F141210-001	14 m**	Flagpole 14m Nordic WinchHW VK Split	65 mm 175 mm	61
F161210-001	16 m**	Flagpole 16m Nordic WinchHW VK Split	65 mm 175 mm	76
F181210-001	18 m**	Flagpole 18m Nordic WinchHW VK Split	65 mm 175 mm	91
F201210-001	20m**	Flagpole 20m Nordic Winch VK Split	75 mm 230mm	177
F221210-001	22m**	Flagpole 22m Nordic Winch VK Split	75 mm 230mm	187
F241210-001	24m**	Flagpole 24m Nordic Winch VK Split	75 mm 230mm	197

* Special product, ask for more information

**Packed in white foil

NORDIC FLAGPOLE FOR WINCH SYSTEM PLASTIC

Flagpole is delivered complete with internal winch, inside halyard and steel base.

Art.no.	Length m	Description	Top Ø Base Ø	Weight in Kg
F031320	3 m*	Flagpole 3m Nordic WinchNM FM	65 mm 120 mm	11
F041320	4 m*	Flagpole 4m Nordic WinchNM FM	65 mm 120 mm	14
F051320	5 m*	Flagpole 5m Nordic WinchNM FM	65 mm 120 mm	16
F061320	6 m	Flagpole 6m Nordic WinchNM FM	65 mm 120 mm	17
F071320	7 m	Flagpole 7m Nordic WinchNM FM	65 mm 120 mm	19
F081320	8 m	Flagpole 8m Nordic WinchNM FM	65 mm 120 mm	20
F091320	9 m	Flagpole 9m Nordic WinchNM FM	65 mm 120 mm	23
F101320	10 m	Flagpole 10m Nordic WinchNM FM	65 mm 140 mm	32
F121320	12 m	Flagpole 12m Nordic WinchNM FM	65 mm 140 mm	38
F141310-001	14 m**	Flagpole 14m Nordic WinchNM VK Split	65 mm 175 mm	61
F161310-001	16 m**	Flagpole 16m Nordic WinchNM VK Split	65 mm 175 mm	76
F181310-001	18 m**	Flagpole 18m Nordic WinchNM VK Split	65 mm 175 mm	91

* Special product, ask for more information

***Packed in white foil*

Accessories box for 3-12m Nordic Winch flagpole

Accessories box consist of ground plate, anchor rods, nuts set, assembly instructions, standard finial of your choice, sleeve, ring weight, stainless steel snap-hook, small plastic ball and handle.



Art.no.	Length m	Description	Weight in Kg
40003	3 - 12 m	Accessories box Nordic Winch 3-12m - onion gold	7,3
40003-1	3 - 12 m	Accessories box Nordic Winch 3-12m - flat white	7,3
40003-2	3 - 12 m	Accessories box Nordic Winch 3-12m - onion silver	7,3
40003-3	3 - 12 m	Accessories box Nordic Winch 3-12m - onion white	7,3
40003-4	3 - 12 m	Accessories box Nordic Winch 3-12m - flat grey	7,3
40003-33	3 - 12 m	Accessories box Nordic Winch 3-12m - flat black	7,3

Box includes:

Art.no- 22119 ground plate Nordic 3-12m

Art.no- 23313 anchor rod Nordic M20x500mm,

Art.no- 24102 nuts set Nordic, assembly instructions.

Art.no- 37305 sleeve 65mm plastic white.

Art.no- 32061 ring weight plastic white 3-12m .

Art.no- 30415 snap hook metal.

Art.no- 23175 small plastic ball

Art.no- 23140-2 winch handle for 6-12m (plastic Winch)/ 6-18m (metal Winch)

Accessories box for 14-18m Nordic Winch flagpole

Accessories box consist of assembly instructions, standard finial of your choice, sleeve, chain weight,



stainless steel snap-hook, small plastic ball and handle. Ground plate, anchor rods, nuts set are packed separately.

Art.no.	Length m	Description	Weight in Kg
40057-1	14 - 18 m	Accessories box Nordic Winch 14-18m - onion silver	9,4

Box includes:

Art.no- 22014-2 ground plate Nordic 14-18m

Art.no- 23313 anchor rod Nordic M20x500mm,

Art.no- 24102 nuts set Nordic, assembly instructions.

Art.no- 37305 sleeve 65mm plastic white.

Art.no- 23155 chain weight for 6-18m

Art.no- 30415 snap hook metal.

Art.no- 23175 small plastic ball

Art.no- 23140-3 winch handle 14-18m (plastic Winch)

Accessories box for 20-24m Nordic Winch flagpole

Accessories box consist of assembly instructions, standard finial of your choice, sleeve, chain weight, stainless steel snap-hook, small plastic ball and handle. Ground attachment needs to be ordered separately.

Art.no.	Length m	Description	Weight in Kg
32125-1	20 - 24m	Finial box Winch 20-24m - onion gold (2-part)	3,5
32125	20 - 24m	Finial box Winch 20-24m - onion silver (2-part)	3,5
40019-2	20 - 24m	Ground attachment Nordic 20-24m	30

Box includes:

Art.no- 31720 sleeve 75mm metal white 20-24m

Art.no- 35105-1 top screw for finial 165mm for 2-part

Art.no- 30415 snap hook metal

Art.no- 23175 small plastic ball

Art.no- 23157chain weight for 20-24m

Art.no- 30415 snap hook metal.

Art.no- 23140-3 winch handle 14-18m (plastic Winch)

NORDIC FLAGPOLE FOR BANNER BAR SYSTEM

Art.no.	Length m	Description	Top Ø Base Ø	Weight in Kg
F061020	6 m	Flagpole 6m Nordic FM	65 mm 120 mm	15
F071020	7 m	Flagpole 7m Nordic FM	65 mm 120 mm	17
F081020	8 m	Flagpole 8m Nordic FM	65 mm 120 mm	18
F091020	9 m	Flagpole 9m Nordic FM	65 mm 120 mm	21
F101020	10 m	Flagpole 10m Nordic FM	65 mm 140 mm	29
F111020	11 m	Flagpole 11m Nordic FM	65 mm 140 mm	34

F121020	12 m	Flagpole 12m Nordic FM	65 mm 140 mm	36
---------	------	------------------------	--------------	----

Banner Bar box for Nordic flagpole

Finial and ground attachment need to be ordered separately.

Ground attachment for Nordic and Banner Bar alum. tube 1,5m with spring and cap are packed separately



Art.no.	Length m	Description	Weight in Kg
37066	6 - 12 m	Banner Bar metal set Mod22	3,7

Set includes:

Art.no- 37150-11 Banner Bar alum. tube 1,5m with spring and cap

Art.no- 37065 Banner Bar sleeve 65mm metal white

Art.no- 37030 plastic sling 57 cm
 Art.no- 32061 ring weight plastic white 3-12m
 Art.no- 37165 Banner Bar/ Banner Lift screw
 Art.no- 23151 fixlock plastic



Art.no- 34049 Banner Bar sleeve 65mm plastic white with bearings
 Art.no- 37165 Banner Bar/ Banner Lift screw
 Art.no- 34050 Banner Bar cap for sleeve 65mm plastic white
 Art.no- 37150-11 Banner Bar alum. tube 1,5m with spring and cap
 Art.no- 37030 plastic sling 57 cm
 Art.no- 32061 ring weight plastic white 3-12m
 Art.no- 23151 Fixlock plastic

Art.no.	Length m	Description	Weight in Kg
35000	6 - 12 m	Banner Bar plastic set Mod23	2,6

Banner Lift system

The standard Banner Lift system flagpole is 6-12m. Ground attachments, finial and sleeve need to order according to the flagpole selection.

Art.no.	Length m	Description	Weight in Kg
37002	6 - 12 m	Banner lift set Mod23	3,16



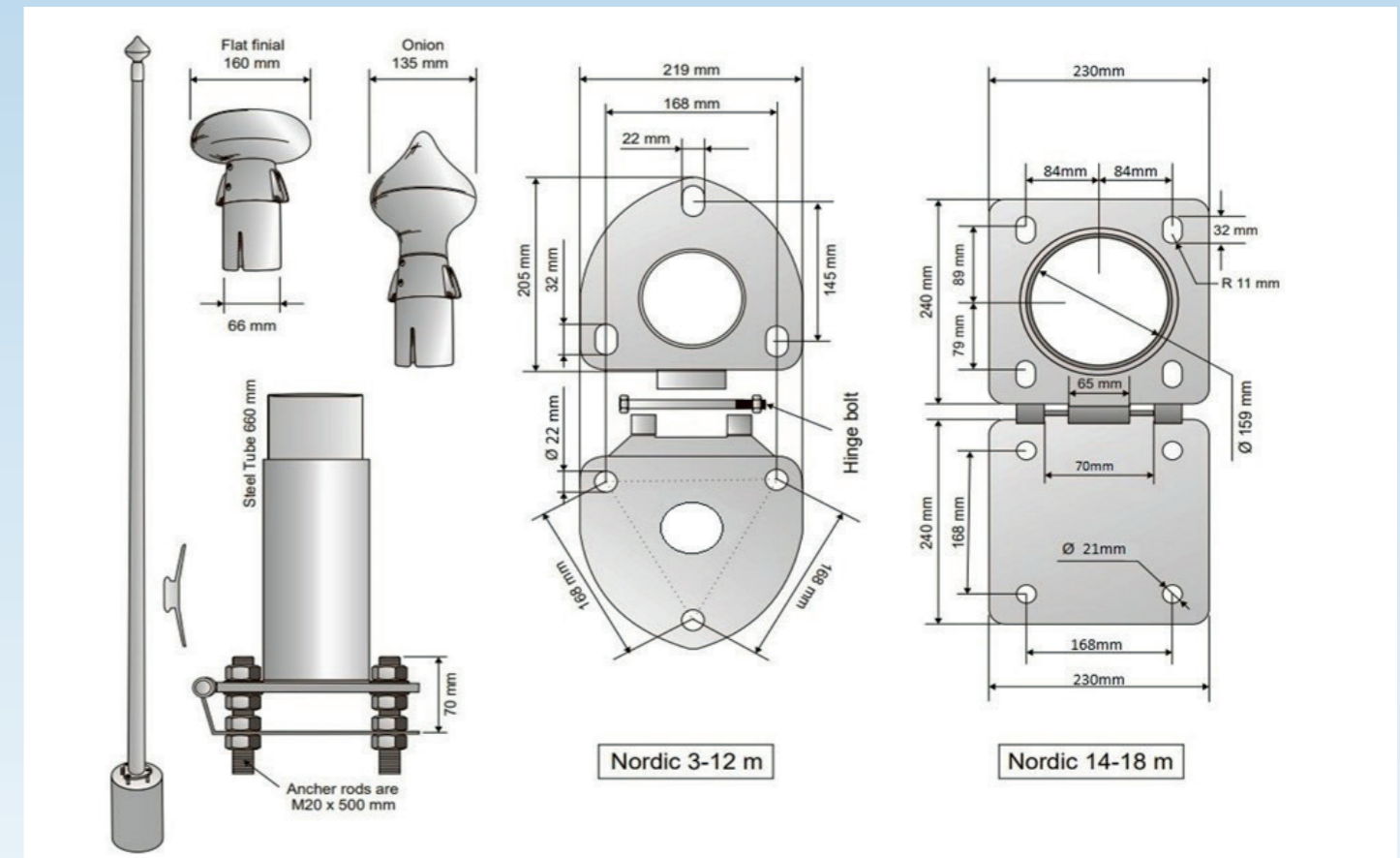
Set includes:
 34012 Banner Lift assamble set mod23
 32061 Ring weight plastic white 3-12m
 37150-11 Banner Bar alum. tube 1,5m with spring and cap
 37030 Plastic sling 57 cm (3 pc)

23151 Fixlock plastic
 37165 Banner Bar/ Banner Lift screw (4pc)

NORDIC TECHNICAL DATASHEET

	3m	4m	5m	6m	7m	8m	9m	10m	12m	14m	16m	18m	20m	22m	24m
top diameter (mm)	65	65	65	65	65	65	65	65	65	65	65	65	75	75	75
bottom diameter (mm)	88	94*	104*	120	120	120	120	140	140	180	180	180	230	230	230
fiberglass thickness (mm)	3	3	3	3	3	3	3	3,5	3,5	4,5	4,5	4,5	6,2	6,2	6,2
cylindrical length (mm)	0	0	0	0	0	0	0	500	2500	5500	7500	9500	9500	11500	13500
height to cleat/lock (mm)	1500	1500	1500	1500	1500	1500	1500	1500	1500	1500	1500	1500	-	-	-
height to winch (mm)	n/a	n/a	n/a	550	550	550	550	550	550	680	680	680	850	850	850
length of the steel tube (mm)	630	630	630	630	630	630	630	630	630	820	820	820	1480	1480	1480
thickness of the steel tube (mm)	2,5	2,5	2,5	2,5	2,5	2,5	2,5	3	3	4,5	4,5	4,5	5,3	5,3	5,3
diameter of the steel tube (mm)	76	76	89	102	102	102	102	121	121	159	159	159	193	193	193

*Tolerance +/- 8 mm



FLAGMORE PRO

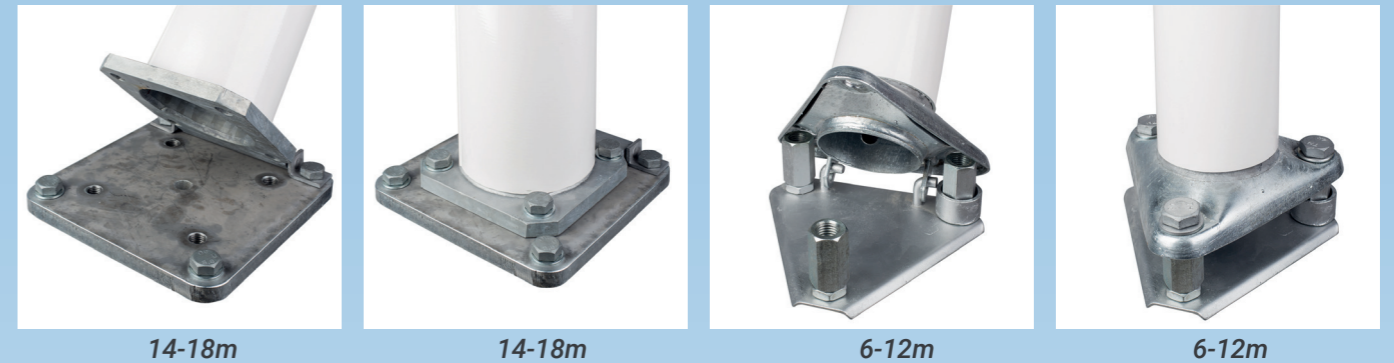
Flagpole 3-18 m for professional flagging

PRO flagpoles have been manufactured since 1958 and are of the finest quality. Customer adapted calculations can be carried out upon order. The ingenious construction with hinged pole makes the flagpole easy to lower and to raise. See our option pages for a variety of possibilities that fit your needs and desires.



PRO FLAGPOLE FOR EXTERNAL HALYARD SYSTEM

Flagpoles are delivered with steel base and cleat holes.



Art.no.	Length m	Description	Top Ø	Base Ø	Weight in Kg
F062120	6 m	Flagpole 6m Pro Ext FM	65 mm	120 mm	14
F072120	7 m	Flagpole 7m Pro Ext FM	65 mm	120 mm	16
F082120	8 m	Flagpole 8m Pro Ext FM	65 mm	120 mm	17
F092120	9 m	Flagpole 9m Pro Ext FM	65 mm	120 mm	20
F102120	10 m	Flagpole 10m Pro Ext FM	65 mm	140 mm	28
F122120	12 m	Flagpole 12m Pro Ext FM	65 mm	140 mm	35
F142110	14 m*	Flagpole 14m Pro Ext VK	65 mm	180 mm	64
F162110	16 m*	Flagpole 16m Pro Ext VK	65 mm	180 mm	79
F182110	18 m*	Flagpole 18m Pro Ext VK	65 mm	180 mm	94

*Packed in white foil

Accessories box for 3-12m Pro external halyard poles



Art.no.	Length m	Description	Weight in Kg
40011	3 - 12 m	Accessories box Pro 3-12m - onion gold	6,6
40011-1	3 - 12 m	Accessories box Pro 3-12m - onion silver	6,6

Box includes:

Art.no- 24101-5 ground plate Pro 3-12m

Art.no- 40089 base plate auxiliary Pro 3-12m

Art.no- 40008 ancor rod Pro M20x450mm

Art.no- 24101-2 nuts set Pro 3-12m

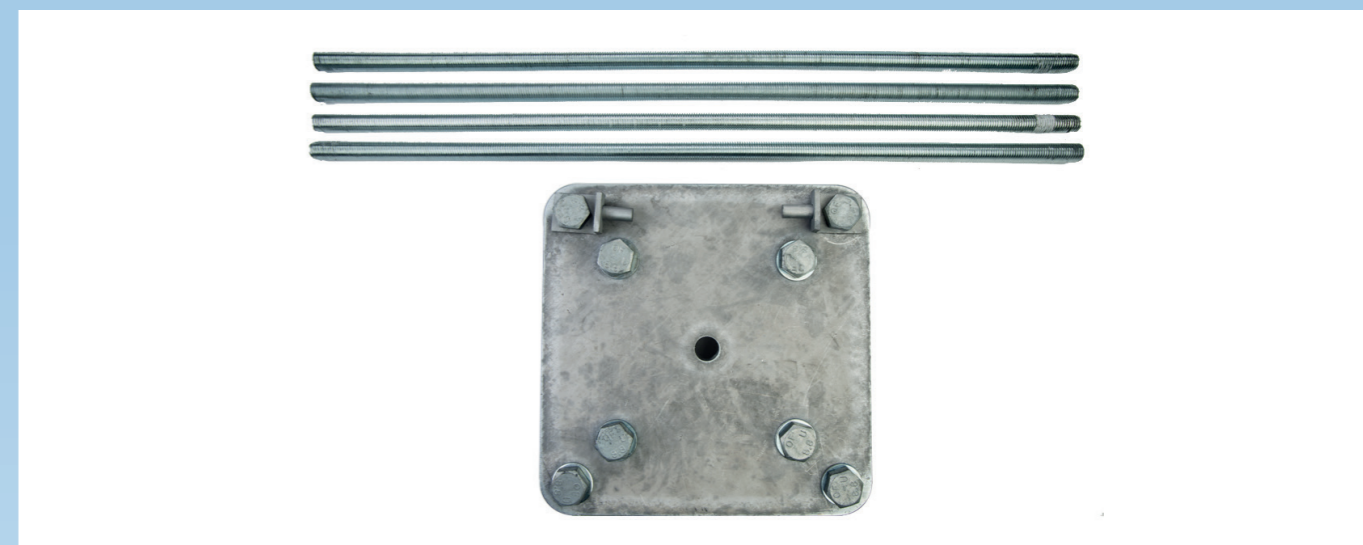
Art.no- 37305 sleeve 65mm plastic white

Art.no- 38020 cleat white with screws

Art.no- 30512 halyard 5mm/22m for ext 3-12m pack

Art.no- 30416 plastic hook white

Finial box and ground attachment for 14-18m Pro external halyard poles



Art.no.	Length m	Description	Weight in Kg
36002-1	14 - 18 m	Finial box 14-18m - onion silver	1,1
24101-9	14 - 18 m	Ground attachment Pro 14-18m	22

Box includes:

Art.no- 37305 sleeve 65mm plastic white

Art.no- 38020 cleat white with screws

Art.no- 30512-3 halyard 5mm/35m for ext 14-18m pack

Art.no- 30416 plastic hook white

Ground attachment needs to be ordered separately.

PRO FLAGPOLE FOR METAL LOCK / LINUS SYSTEM

A manual internal halyard system has a lockable hatch. Inside the hatch there is a cable lock that secures the halyard. A comfortable way to raise the flag.

Flagpole is delivered complete with lockable hatch, 2 keys and ground attachment.

Art.no.	Length m	Description	Top Ø	Base Ø	Weight in Kg
F062720	6 m	Flagpole 6m Pro Linus FM	65 mm	120 mm	15
F072720	7 m	Flagpole 7m Pro Linus FM	65 mm	120 mm	17
F082720	8 m	Flagpole 8m Pro Linus FM	65 mm	120 mm	18
F092720	9 m	Flagpole 9m Pro Linus FM	65 mm	120 mm	21
F102720	10 m	Flagpole 10m Pro Linus FM	65 mm	140 mm	29
F122720	12 m	Flagpole 12m Pro Linus FM	65 mm	140 mm	36

Accessories box for Pro Linus flagpole



Art.no.	Length m	Description	Weight in Kg
40012	3 - 12 m	Accessories box Pro Linus 6-12m - onion gold	7,6

Box includes:

Art.no- 11102-2 assembly instructions for Pro

Art.no- 24101-2 nuts set Pro 3-12m

Art.no- 40008 ancor rod Pro M20x450mm

Art.no- 40089 base plate auxiliary Pro 3-12m

Art.no- 24101-5 ground plate Pro 3-12m

Art.no- 37305 sleeve 65mm plastic white

Art.no- 32061 ring weight plastic white 3-12m

Art.no- 30415 snap hook metal

Art.no- 23175 small plastic ball

PRO FLAGPOLE FOR WINCH SYSTEM METAL

The winch system has a stainless steel winch that regulates the halyard inside the flagpole.
A comfortable way to raise flag and protect it against theft and sabotage.

Art.no.	Length m	Description	Top Ø	Base Ø	Weight in Kg
F032220	3 m	Flagpole 3m Pro WinchHW FM	65 mm	120 mm	10
F042220	4 m	Flagpole 4m Pro WinchHW FM	65 mm	120 mm	13
F052220	5 m	Flagpole 5m Pro WinchHW FM	65 mm	120 mm	15
F062220	6 m	Flagpole 6m Pro WinchHW FM	65 mm	120 mm	16
F072220	7 m	Flagpole 7m Pro WinchHW FM	65 mm	120 mm	18
F082220	8 m	Flagpole 8m Pro WinchHW FM	65 mm	120 mm	19
F092220	9 m	Flagpole 9m Pro WinchHW FM	65 mm	120 mm	22
F102220	10 m	Flagpole 10m Pro WinchHW FM	65 mm	140 mm	31
F122220	12 m	Flagpole 12m Pro WinchHW FM	65 mm	140 mm	37
F142210	14 m*	Flagpole 14m Pro WinchHW VK	65 mm	180 mm	56
F162210	16 m*	Flagpole 16m Pro WinchHW VK	65 mm	180 mm	71
F182210	18 m*	Flagpole 18m Pro WinchHW VK	65 mm	180 mm	87

*Packed in white foil

Accessories box for 3-12m Pro Winch flagpole



Art.no.	Length m	Description	Weight in Kg
40013	3 - 12 m	Accessories box Pro Winch 3-12m - onion gold	7,8
40013-1	3 - 12 m	Accessories box Pro Winch 3-12m - onion silver	7,8
40013-2	3 - 12 m	Accessories box Pro Winch 3-12m - flat white	7,8
40013-3	3 - 12 m	Accessories box Pro Winch 3-12m - flat grey	7,8

Box includes:

Art.no- 11102-2 assembly instructions for Pro

Art.no- 24101-5 ground plate Pro 3-12m

Art.no- 40089 base plate auxiliary Pro 3-12m

Art.no- 40008 ancor rod Pro M20x450mm

Art.no- 24101-2 nuts set Pro 3-12m

Art.no- 37305 sleeve 65mm plastic white

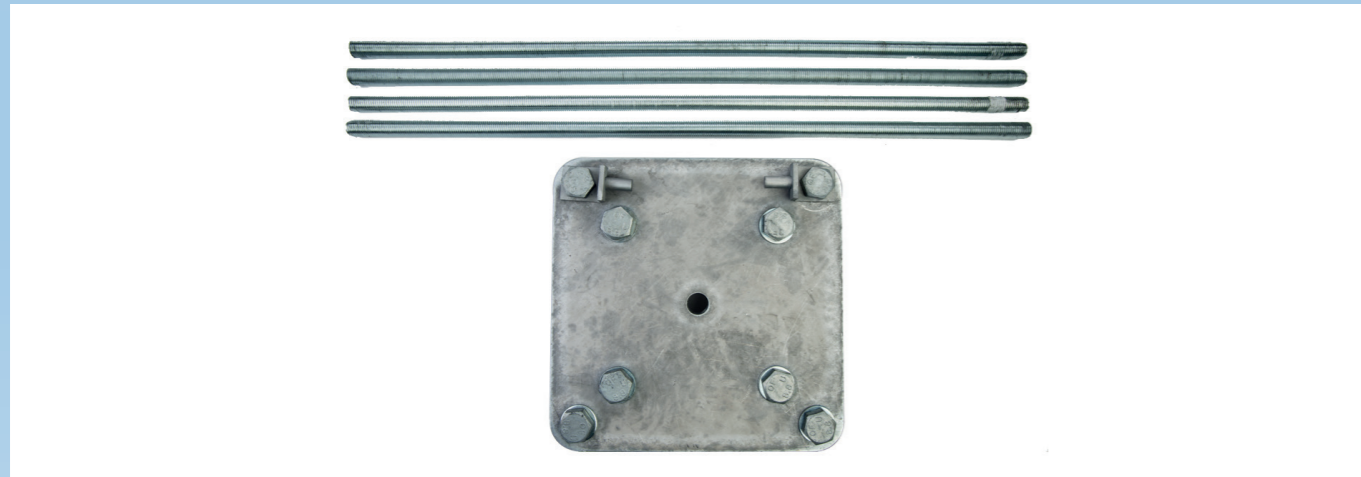
Art.no- 32061 ring weight plastic white 3-12m

Art.no- 30415 snap hook metal

Art.no- 23175 small plastic ball

Art.no- 23140-2 Winch handle for 6-12m (plastic Winch)/ 6-18m (metal Winch)

Accessories box for 14-18m Pro Winch flagpole



Art.no.	Length m	Description	Weight in Kg
32041	14 - 18 m	Finial box Winch 14-18m - onion gold (2-part)	2,2
32105	14 - 18 m	Finial box Winch 14-18m - onion silver (2-part)	2,2
24101-9	14 - 18 m	Ground attachment Pro 14-18m	22

Box includes:

Art.no- 31520 sleeve 65mm plastic white for finial 2-part

Art.no- 31017 truckhead for onion finial white 2-part

Art.no- 35105-1 top screw for finial 165mm for 2-part

Art.no- 30415 snap hook metal

Art.no- 23175 small plastic ball

Art.no- 23155 chain weight for 6-18m

Art.no- 23140-3 Winch handle 14-18m (plastic Winch)

Ground attachment needs to be ordered separately.

PRO FLAGPOLE FOR BANNER BAR SYSTEM



Art.no.	Length m	Description	Top Ø Base Ø	Weight in Kg
F062020	6 m	Flagpole 6m Pro FM	65 mm 120 mm	14
F072020	7 m	Flagpole 7m Pro FM	65 mm 120 mm	16
F082020	8 m	Flagpole 8m Pro FM	65 mm 120 mm	17
F092020	9 m	Flagpole 9m Pro FM	65 mm 120 mm	20
F102020	10 m	Flagpole 10m Pro FM	65 mm 140 mm	28
F122020	12 m	Flagpole 12m Pro FM	65 mm 140 mm	35

Finial and ground attachment need to be ordered separately.

Ground attachment for Pro and Banner Bar alum. tube 1,5m with spring and cap are packed separately

Art.no.	Length m	Description	Weight in Kg
37066	6 - 12 m	Banner Bar metal set Mod22	3,7

Set includes:

Art.no- 37150-11 Banner Bar alum. tube 1,5m with spring and cap

Art.no- 37065 Banner Bar sleeve 65mm metal white

Art.no- 37030 plastic sling 57 cm

Art.no- 32061 ring weight plastic white 3-12m

Art.no- 37165 Banner Bar/ Banner Lift screw

Art.no- 23151 fixlock plastic

Art.no.	Length m	Description	Weight in Kg
35000	6 - 12 m	Banner Bar plastic set Mod23	2,6

Set includes:

Art.no- 34049 Banner Bar sleeve 65mm plastic white with bearings

Art.no- 37165 Banner Bar/ Banner Lift screw

Art.no- 34050 Banner Bar cap for sleeve 65mm plastic white

Art.no- 37150-11 Banner Bar alum. tube 1,5m with spring and cap

Art.no- 37030 plastic sling 57 cm

Art.no- 32061 ring weight plastic white 3-12m

Art.no- 23151 Fixlock plastic

Banner Lift system

The standard Banner Lift system flagpole is 6-12m. Ground attachments, finial and sleeve need to order according to the flagpole selection.

Art.no.	Length m	Description	Weight in Kg
37002	6 - 12 m	Banner lift set Mod23	3,16

Set includes:

34012 Banner Lift assamble set mod23

32061 Ring weight plastic white 3-12m

37150-11 Banner Bar alum. tube 1,5m with spring and cap

37030 Plastic sling 57 cm (3 pc)

23151 Fixlock plastic

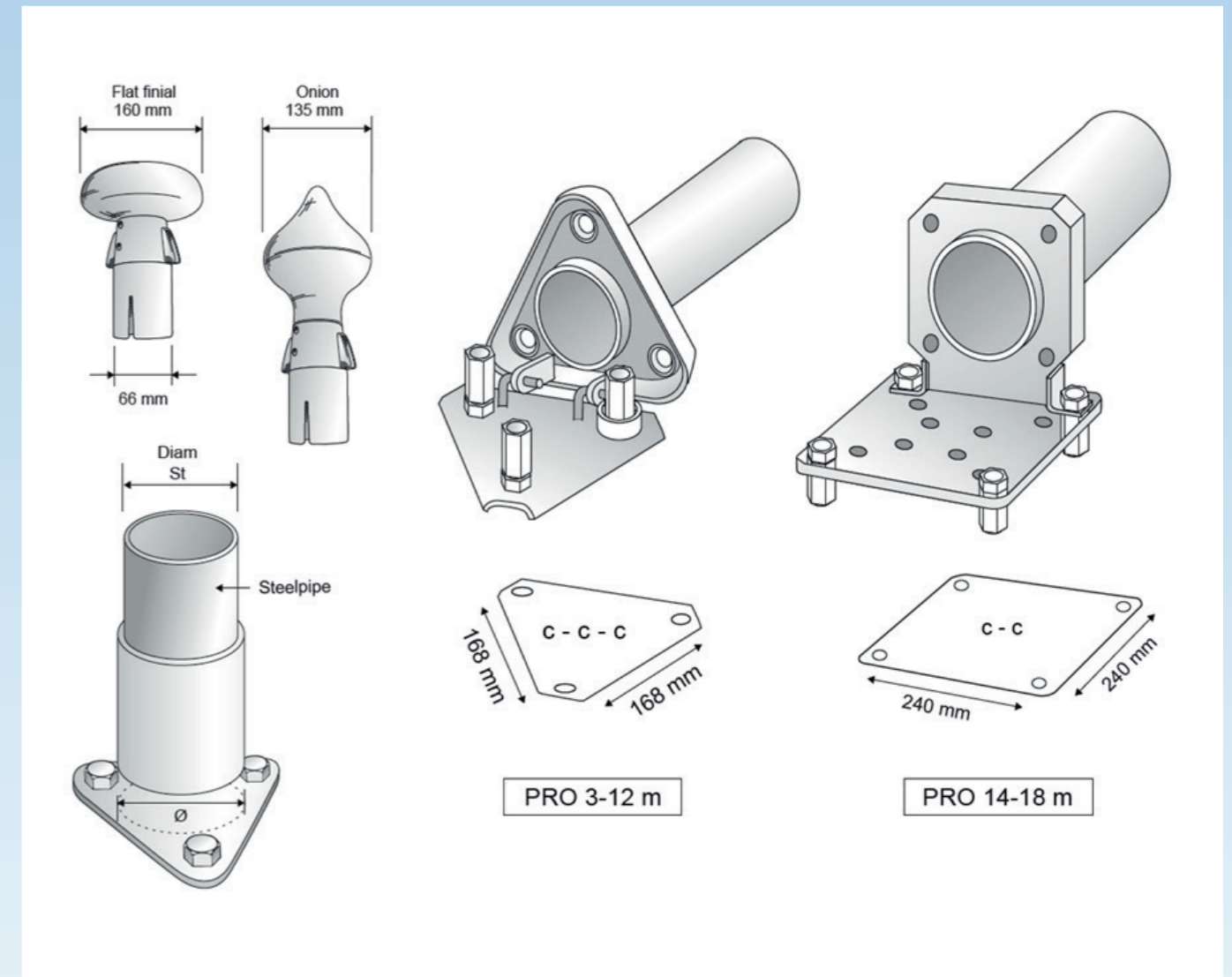
37165 Banner Bar/ Banner Lift screw (4pc)



PRO TECHNICAL DATASHEET

	3m	4m	5m	6m	7m	8m	9m	10m	12m	14m	16m	18m
top diameter (mm)	65	65	65	65	65	65	65	65	65	65	65	65
bottom diameter (mm)	103*	113*	118*	120	120	120	120	140	140	180	180	180
fiberglass thickness (mm)	3,0	3,0	3,0	3,0	3,0	3,0	3,0	3,5	3,5	4,5	4,5	4,5
cylindrical lenght (mm)	0	0	0	0	0	0	0	500	2500	5500	7500	9500
height to cleat/lock (mm)	1500	1500	1500	1500	1500	1500	1500	1500	1500	1500	1500	1500
height to winch (mm)	n/a	n/a	n/a	530	530	530	530	530	530	850	850	850
length of the steel tube (mm)	610	610	610	610	610	610	610	610	610	1000	1000	1000
thickness of the steel tube (mm)	2,6	2,6	2,6	2,6	2,6	2,6	2,6	3,0	3,0	5,0	5,0	5,0
diameter of the steel tube (mm)	76	76	89	102	102	102	102	121	121	159	159	159

*Tolerance +/- 8 mm



OPTIONS FOR FLAGPOLES

SPECIAL COLOUR

A full selection of coloured flagpoles. Coloured flagpoles are made upon request in accordance with RAL- colour card.

SPLIT OF FLAGPOLES

Flagmore offers splitting flagpoles into a two-part pole. They are precision manufactured in our factory in lengths between 6-24 meters and retain their strength. In this way the transport is easier.



EXTRA REINFORCEMENT

When the flagpole is going to be placed in an exposed location, extra reinforcement is needed. This type of reinforcement is recommended if the pole is mounted on a roof and/or where large flags are being used. In those cases a safety wire is also recommended.

Extra reinforcement can be done by

1. Adding extra layers
2. Inserting glass fibre tube
3. Inserting steel tube

Ask for technical specifications and an offer if extra reinforcement is needed.

MARINA SYSTEM



For flying flags, pennants or flag garlands in harbours, marinas, tourist attractions, camping sites or restaurants.

The standard Marina mast is 6-12m and the mounting kit comes complete with all fittings 3 cleats, a 244 cm long yardarm for 10-12m, a 198 cm log yardarm for 6-9m and bracket for the yardarm, but without flags and flag garlands. Ground attachments and finial need to order according to the flagpole selection.

Art.no.	Length m	Description	Top Ø Base Ø
F061110- 010MARINA	6 m	Flagpole 6m Nordic Ext VK HD MARINA	65 mm 103 mm
F071110-010MARINA	7 m	Flagpole 7m Nordic Ext VK HD MARINA	65 mm 110 mm
F081110-010MARINA	8 m	Flagpole 8m Nordic Ext VK HD MARINA	65 mm 113 mm
F091110-010MARINA	9 m	Flagpole 9m Nordic Ext VK HD MARINA	65 mm 120 mm
F101110- 010MARINA	10 m	Flagpole 10m Nordic Ext VK HD MARINA	65 mm 120 mm
F111110- 010MARINA	11 m	Flagpole 11m Nordic Ext VK HD MARINA	65 mm 120 mm
F121110- 010MARINA	12 m	Flagpole 11m Nordic Ext VK HD MARINA	65 mm 120 mm

Art.no.	Length m	Description
30098	6 - 9 m	Marina set 6-9m
30099	10 - 12 m	Marina set 10-12m

CUSTOM POLES

We can make poles with different diameters, different lengths, extra strength, aluminium tubes in tops and much more. Poles can be cylindrical, conical and different combinations of these two shapes.

Flagmore glass fibre custom poles have already been used for lighting columns, railway barriers, antenna poles, lighting rods, windsock poles, supporting security cameras, fence-posts etc.

SAFETY WIRE

When installing on roofs and walls above ground, a safety wire is strongly recommended. The safety wire is securely attached to the top of the flagpole and runs internally down to the base of the pole. The wire is fastened to the anchor rods or with a separate anchor.

Art.no.	Length m	Description
30030	6 - 9 m	Safety wire 6-9m
30031	10 - 12 m	Safety wire 10-12m
30032	14 - 18 m	Safety wire 14-18m

WALL MOUNTED FLAGPOLES

WALL MOUNTED FLAGPOLE IN FIBREGLASS with square attachment 3 – 4 meter



Wall mounted pole delivered complete with steel base and cleat. A finial box need to be selected and ordered separately

Art.no.	Length m	Description	Top Ø	Kg
F039120	3 m	Flagpole 3m Wall Ext FM	65 mm	8
F049120	4 m	Flagpole 4m Wall Ext FM	65 mm	10

WALL ATTACHMENTS TO WALL MOUNTED FLAGPOLE

Complete wall attachment with bolt for the flagpole



Art.no.	Length m	Description
23104	3 - 6m	Wall attachment 45° 3-6m
23106	3 - 6 m	Wall attachment 60° 3-6m
23107	3 - 6 m	Wall attachment 75° 3-6m

VERTICAL WALL BRACKET FOR NORDIC AND PRO POLES



Art.no.	Length m	Description
40120	3 - 12 m	Wall attachment vertical 3-12m Nordic

SMART FLAGPOLE

Smart Flagpole is a wall mounted flagpole. Smart Flagpole in length 200cm, wall attachment on 65° angle against wall. Smart Flagpole function is to prevent the flag to twist around the pole.



Art.no.	Length m	Description	Weight in Kg
F030003	2,5m	Smart Flagpole 2,5m RAL9010 white	2,3
410092-1		Smart Flagpole wallbracket RAL9010 white	1,8
F030004	2,5m	Smart Flagpole 2,5m RAL9007 grey	2,3
410092-2		Smart Flagpole wallbracket RAL9007 grey	1,8

ROLLOVER

Art.no.	Length cm	Description	Weight in Kg
70250	200 cm	Roll-Over 200cm with wall attachment 65°	1,1

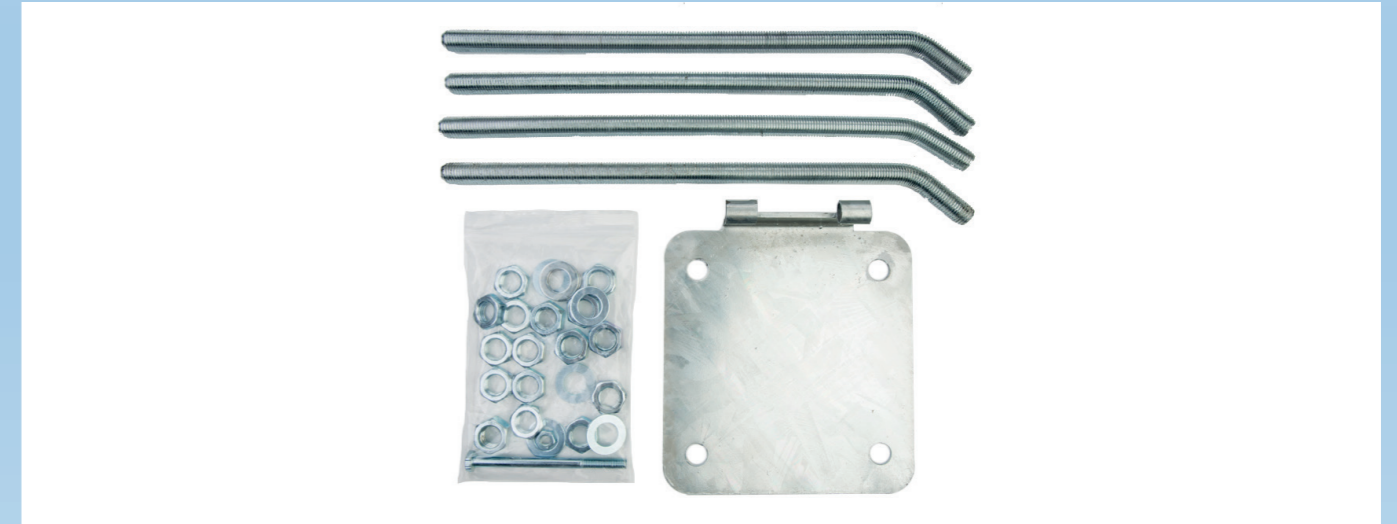
GROUND ATTACHMENTS

Contents of the ground attachment Nordic 3-12m



Art.no.	Pieces	Description	Weight in Kg
22119	1	Ground plate Nordic 3-12m	1
23313	3	Anchor rod Nordic M20x500mm	0,9
24102	1	Nuts set Nordic	0,7

Contents of the ground attachment Nordic 14-18m

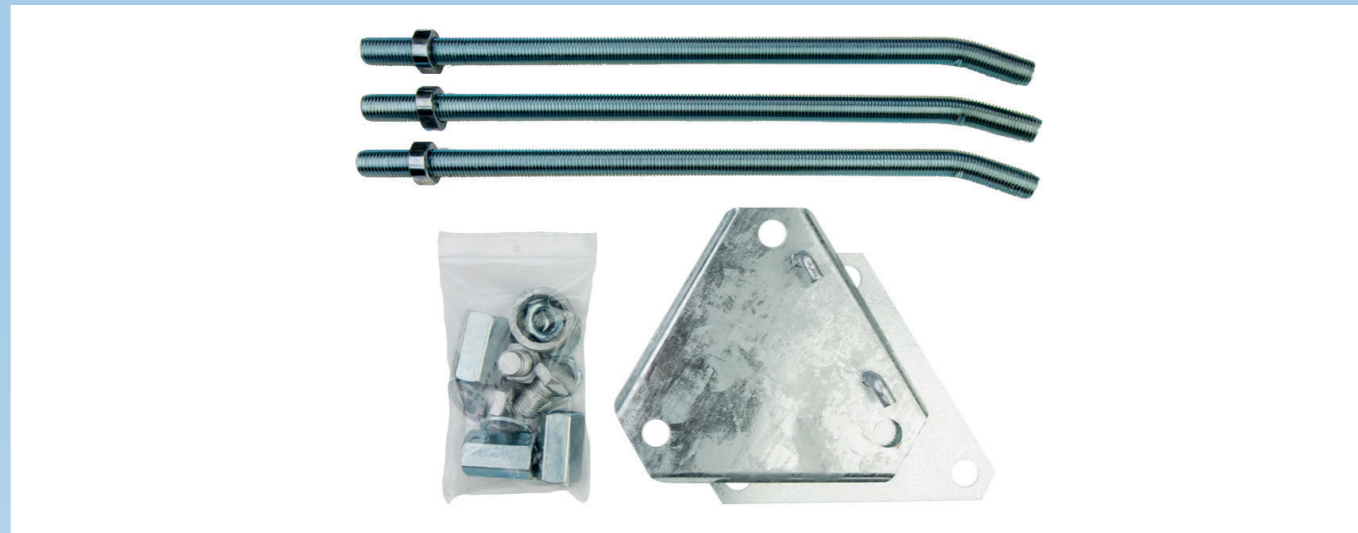


Art.no.	Pieces	Description	Weight in Kg
22014-2	1	Ground plate Nordic 14-18m	2
23313	4	Anchor rod Nordic M20x500mm	0,9
24102	1	Nuts set Nordic	0,8

Contents of the ground attachment Nordic 20-24m

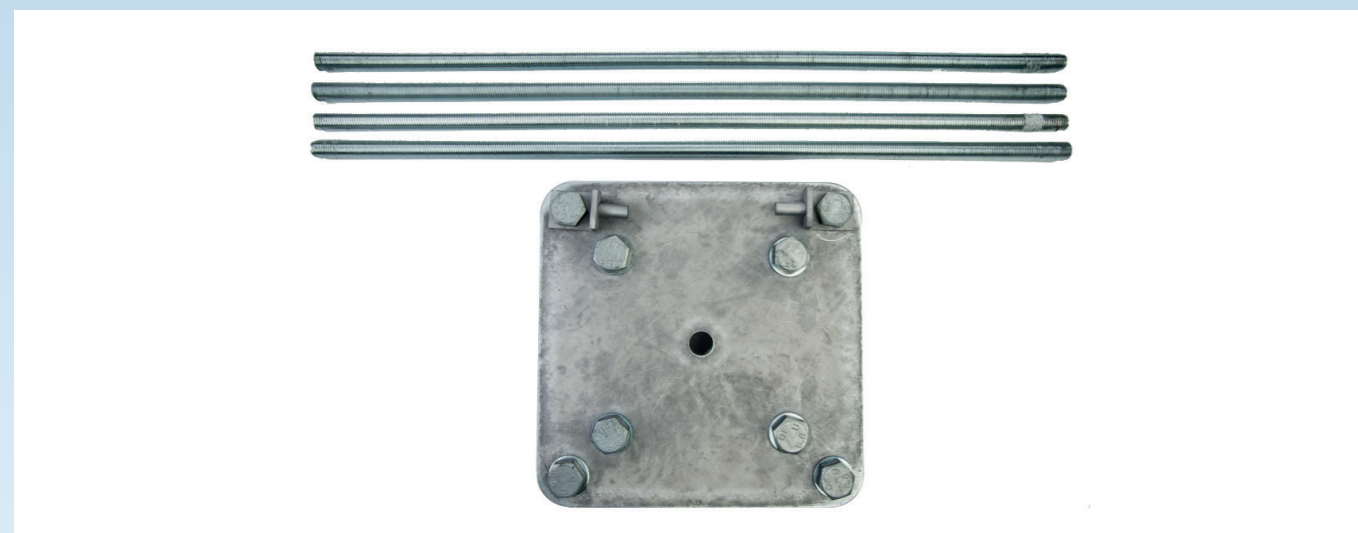
Art.no.	Pieces	Description	Weight in Kg
40116	1	Ground plate 20-24m	29
41001	5	Anchor rods M20x800mm	7,3
51270	2	Bolt 20x70mm KZN DIN 933 8.8	0,4
51244	9	Bolt 20x50mm KZN DIN 933 8.8	1,6
51243	9	Washer M20	0,1
36334206	5	Retaining nut M20x60mm KZN DIN 6334	1,1

Contents of the ground attachment Pro 3-12m



Art.no.	Pieces	Description	Weight in Kg
40089	1	Base plate auxiliary Pro 3-12m	0,1
24101-5	1	Ground plate Pro 3-12m	0,8
40008	4	Ancor rod Pro M20x450mm	1,4

Contents of the ground attachment Pro 14-18m



Art.no.	Pieces	Description	Weight in Kg
24101-8	1	Ground plate Pro 14 – 18m	16
41001	4	Anchor rods PRO M20x800mm 4pcs	6,1

FINIAL BOXES

STANDARD FINIAL BOXES FOR EXTERNAL HALYARD



Art.no.	Length m	Description	Weight in Kg
31037N	3 - 12 m	Finial box 3-12m- flat grey	1,1
31113N	3 - 12 m	Finial box 3-12m- flat black	1,1
33209N	3 - 12 m	Finial box 3-12m - flat white	1,1
31112N	3 - 12 m	Finial box 3-12m - onion gold	1,1
31668N	3 - 12 m	Finial box 3-12m - onion silver	1,1
31112V	3 - 12 m	Finial box 3-12m - onion white	1,1
36002-1	14 - 18 m	Finial box 14-18m - onion silver	1,4

**All colours available*

STANDARD FINIAL BOXES FOR LINUS



Art.no.	Length m	Description	Weight in Kg
31037LN	6 - 12 m	Finial box linus 6-12m - flat grey	2
32025-1	6 - 12 m	Finial box linus 6-12m - flat white	2
31667N	6 - 12 m	Finial box linus 6-12m - onion silver	2
32010N	6 - 12 m	Finial box linus 6-12m - onion gold	2

**All colours available*

STANDARD FINIAL BOXES FOR WINCH



Art.no.	Length m	Description	Weight in Kg
31037WN	3 - 12 m	Finial box winch 3-12m - flat grey	2,2
33209WN	3 - 12m	Finial box winch 3-12m - flat white	2,2
31663N	3 - 12m	Finial box winch 3-12m - onion silver	2,2
31109WN	3 - 12m	Finial box winch 3-12m - onion gold	2,2
32043	3 - 12m	Finial box winch 3-12m - onion white	2,2
36041-2	14 - 18m	Finial box winch 14-18m - flat white	2,4

**All colours available*

ACCESSORIES

FINIALS

Standard finials



Art.no.	Length m	Description	Weight in Kg
37300	3 - 12 m	Finial onion gold 135mm	0,2
37301	3 - 12 m	Finial onion silver 135mm	0,2
37302	3 - 12 m	Finial onion white 135mm	0,2
37310	3 - 12 m	Finial flat white 160mm	0,2
37314	3 - 12 m	Finial flat grey 160mm	0,2
37312	3 - 12 m	Finial flat black 160mm	0,2

*All colours available.

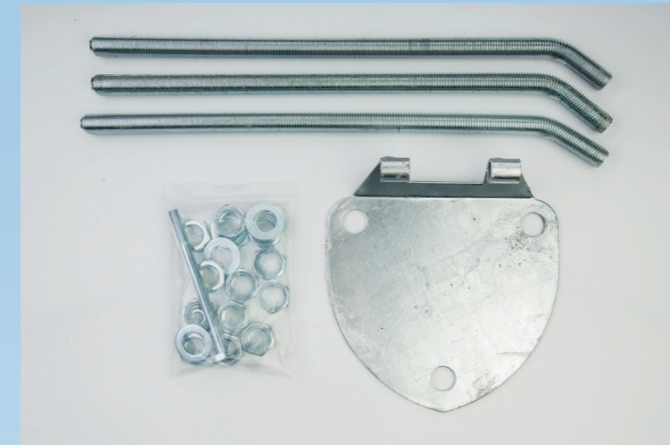
Sleeves for finials



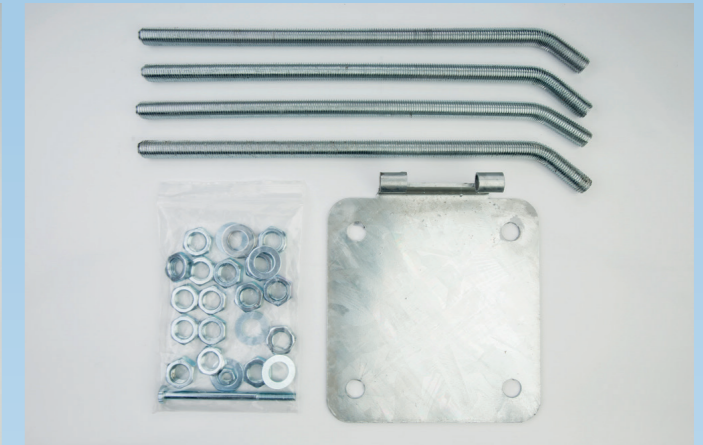
Art.no.	Length m	Description	Weight in Kg
37305	3 - 18 m	Sleeve 65mm plastic white	0,2
37306	3 - 18 m	Sleeve 65mm plastic grey	0,2
37307	3 - 18 m	Sleeve 65mm plastic black	0,2
31720	20 - 24m	Sleeve 75mm metal white 20-24m	1

GROUND ATTACHMENTS

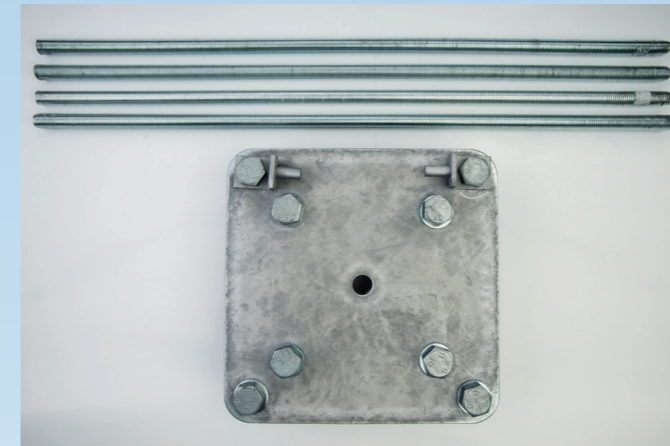
All ground attachments in Flagmore's product selection are manufactured from hot galvanized steel for the best protection against corrosion. This selection includes the ground attachments to all our flag-poles.



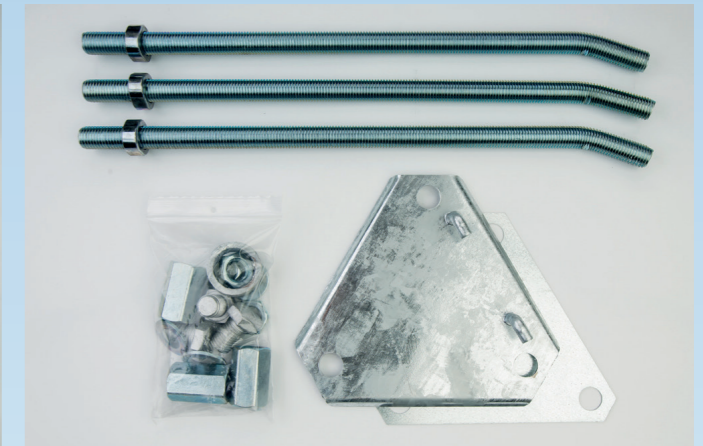
Nordic 3-12m



Nordic 14-18m



Pro 14-18m



Pro 3-12m

Ground attachment is delivered complete with anchor rods, ground plate and nuts set.

Art.no.	Length m	Description	Weight in Kg
40000	3 - 12 m	Ground attachment Nordic 3-12m	4,5
50500	14 - 18 m	Ground attachment Nordic 14-18m	6,6
40010	3 - 12 m	Ground attachment Pro 3-12m	5
24101-9	14 - 18 m	Ground attachment Pro 14-18m	22

Flash collars for ground attachment



plastic



fiberglass

Art.no.	Length m	Description	Weight in Kg
44020-1	6 - 9 m	Flash collar plastic white for 6-9m	0.5
44021-1	10 - 12 m	Flash collar plastic white for 10-12m	0.5
44020-9	6 - 9 m	Flash collar fiberglass 6-9m white	0.5
44021-6	10-12 m	Flash collar fiberglass 10-12m white	0.5

OTHER ACCESSORIES AND PRODUCTS

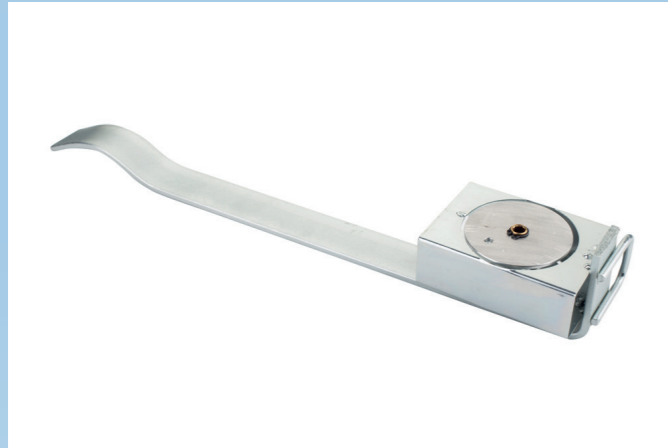
Weights



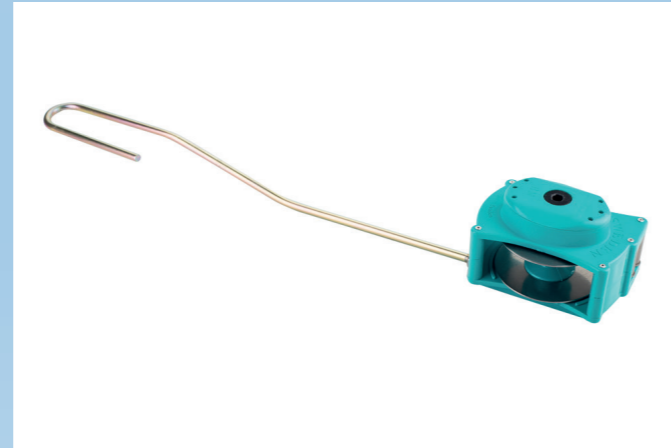
Art.no.	Length m	Description	Weight in Kg
23155	6 - 18 m	Chain weight for 6-18m *	1,5
32061	3 - 12 m	Ring weight plastic white 3-12m	1,3
32080	3 - 12 m	Ring weight plastic grey 3-12m	1,3
32062	3 - 12 m	Ring weight plastic black 3-12m	1,3

* chain weight can be order in different RAL colors

Winches



metal



plastic

Art.no.	Length m	Description	Weight in Kg
23161-21	6 - 9 m	Winch mechanism cmpl 6-9m (plastic)	0.5
23162-2	10 - 12 m	Winch mechanism cmpl 10-12m (plastic)	0.5
23162-3	14 - 18 m	Winch mechanism cmpl 14-18m (plastic)	0.5
23161-7	6 - 9 m	Winch mechanism cmpl 6-9m HW (metal)	2.2
23162-7	10-12 m	Winch mechanism cmpl 10-12m HW (metal)	2.2
32070-7	14 - 18 m	Winch mechanism cmpl 14-18m HW (metal)	2.2

Linuses



Art.no.	Length m	Description	Weight in Kg
23312	-	Linus house with lock white	0.5
23314	-	Linus house with lock grey	0.5
23315	-	Linus house with lock black	0.5

Clips and snap-hooks

Clips and snap-hooks for fast connection of flags/halyards

Art.no.	Description
30416-1	Plastic hook white 2pcs/ per package
30415	Snap hook metal
23151	Fixlock plastic

Cleat



Art.no.	Description
38020	Cleat white with screws
38016	Cleat grey with screws
38018	Cleat black with screws

Internal halyard Ø 4 mm

Art.no.	Description
30410-3	Halyard internal 4mm/m (1pcs=34m)
30410-16	Halyard internal 4mm/m (1pcs=16m)
30410-22	Halyard internal 4mm/m (1pcs=22m)

Halyard Ø 5 mm



Art.no.	Description
30512-1	Halyard 5mm/16m for ext 3-9m pack
30512	Halyard 5mm/22m for ext 3-12m pack
30512-3	Halyard 5mm/35m for ext 14-18m pack

Concrete bases and foot covers



450kg



350kg

Art.no.	Length m	Description	Weight in Kg
40040	3 - 9 m	Concrete base 450 kg 3-9m	450
40041	10 - 12 m	Concrete base 650 kg 10-12m	650
40045	3 - 12 m	Concrete in-ground base 350 kg 3-12m	350
40042	14 - 18 m	Concrete in-ground base 500 kg 14-18m	500

Banner Saver

Art.no.	Length m	Description	Weight in Kg
34040-1		Banner Saver	4.7

RECOMMENDED FLAG SIZES AND WIND STRENGTHS

Max. wind speed (m/s) for FLAGMORE NORDIC and FLAGMORE PRO standard GRP-flagpoles depending on the FLAG size and flagpole length.

Size of flag (m, height x width)	6 m	7 m	8 m	9 m	10 m	11 m	12 m	14 m	16 m	18 m	20 m	22 m	24 m
1,05 x 1,65 m	31	32	29	31	35	38	38						
1,25 x 1,96 m	30	31	28	29	34	36	37	31					
1,50 x 2,36 m	29	30	28	28	33	35	35	30	35				
1,65 x 2,58	28	29	27	28	32	35	35	29	34	31			
2,00 x 3,14 m		28	26	27	31	33	34	28	32	29			
2,33 x 3,66 m								27	32	28	40		
2,67 x 4,2 m									31	28	40	41	
3,00 x 4,71 m										27	39	39	40
3,33 x 5,23 m											39	39	40
3,67 x 5,76 m												38	39
4,00 x 6,28 m													39

Data in the tables valid for normal conditions:

1. Temperature of air - 20-25 C. Max. wind speed (m/s) for FLAGMORE NORDIC and FLAGMORE PRO standard GRP-flagpoles depending on the FLAG size ja Max length.
2. relative humidity - up to 65% (raised humidity of air (for example due to strong rain or snow with rain) will reduce maximum allowable wind speed)
3. flagpole mounted on the ground
4. Flag type: horizontal / Banner type: vertical

When flagpole will be installed in extreme conditions (on the hill or on the roof of the building or in a very windy place etc.), please contact the technical department FLAGMORE.

Product Catalogue

Catalog version 1.0 was released on December 2023;
the current minor release is version 2.0, updated on October 2024.

Updated pages:

P 7 Added Nordic Technical datasheet for 20/22/24m flagpoles.

P16 Added product Banner Lift system

P17 Corrected Nordic technical datasheet tabel 3m-5m bottom diameters.

P 44 Corrected product article no

P 50 Corrected table recommended flag sizes and wind strengths.

FLAGMORE AS

Põlluaasa, Kolu village,
Kose parish, Harju county 75121
+372 60 36 026
info.ee@flagmore.com

SALES SPECIALIST
+372 60 36 026
sales@flagmore.com

Flagmore[®]